

SPECIFICATION SHEET

QUADRO ST78 HEATED TOWEL RAIL

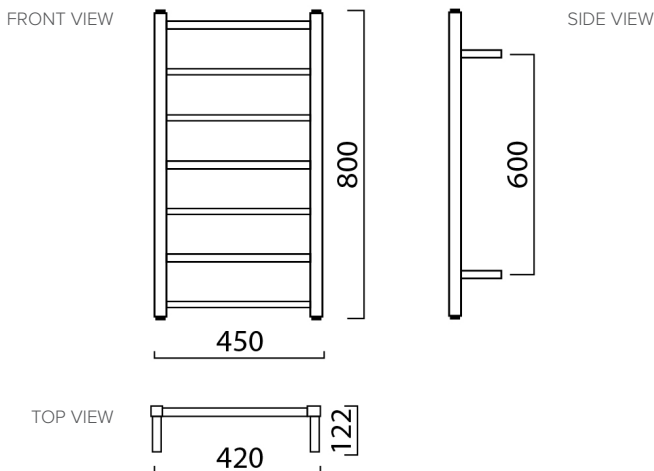


Colour Options with Code

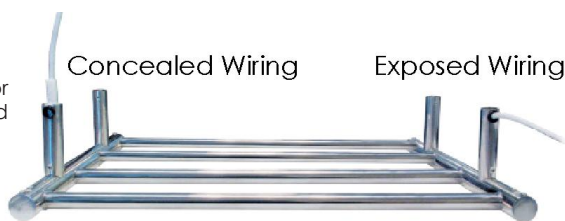


Chrome ST78
 Matte Black ST78B
 Brushed Nickel ST78NK
 Gunmetal ST78GM
 Brushed Brass ST78BB

Technical Details



12mm Drill Hole required for Concealed Wiring



Universal Wiring Options

Features

- IP45, 230-240V
- 201 Grade Stainless Steel (Chrome & Matte Black), 304 Grade Stainless Steel (Brushed Nickel)
- Chrome (65W), Matte Black (75W), Brushed Nickel (65W), Gunmetal (65W) and Brushed Brass (65W) finishes
- Multi-connect Wiring Options
- Wiring kits included
- Dimensions: H800 X W450 X D120

Note: All measurements shown are in millimetres. Sizes are nominal.



Newtech heated towel rails are designed for NZ bathrooms. These are tested to ensure they meet the high product standards set by Australia and New Zealand AS/NZS 60335.



Our 10 year warranty offers our customers peace of mind knowing our products are free of defects, both in materials and workmanship.



Our Newtech range of heated towel rails come with a IP45 rating for use in Zone 2.



Our Quadro electrical connections are multi-connect wiring, concealed or exposed.



The installation of your towel rail must be performed by a registered electrician. Installation is to comply with AS/NZS 60335 Safety Standards.



Can be used in conjunction with a timer.



Manufactured from high quality durable stainless steel.